

3XLE05-Series - 60 Hz

Optional
Heavy-duty
Quick-connect
cords



Terminal block for internal wiring

SS lifting bale - sized for ease of use

Buna-N cord strain reliefs

All hardware 316 SS

Permanent epoxy cord seal prevents wicking

Inverter duty rated Class H insulation

Oil-filled motor chamber cools motor and lubricates bearings

NEMA® IE3 Premium Efficiency motor construction

Stator locking pin prevents stator movement

One piece 416 SS rotor shaft

Bearing locking ring eliminates axial shaft movement

Upper (inner) seal - graphite impregnated carbon on silicon carbide with Vitor® elastomers and SS components

Seal leak detection, 2-probe sensor with resistor

Lower (outer) seal - silicon carbide on silicon carbide with Viton elastomers and SS components (other options available)

4" 150# ANSI® (DIN 100-PN10) flange

ClearNotch™ Technology
Material cleanout slots

Serviceable impeller wear ring

Rotor shaft grounding brush protects bearings during VFD operation (3-phase models)

Upper deep groove ball bearing

Heavy-duty class 30 cast iron motor housing

Press fit stator enhances heat transfer allowing for cooler motor temperatures

Protective powder coat finish

Buna-N O-rings seal all joints

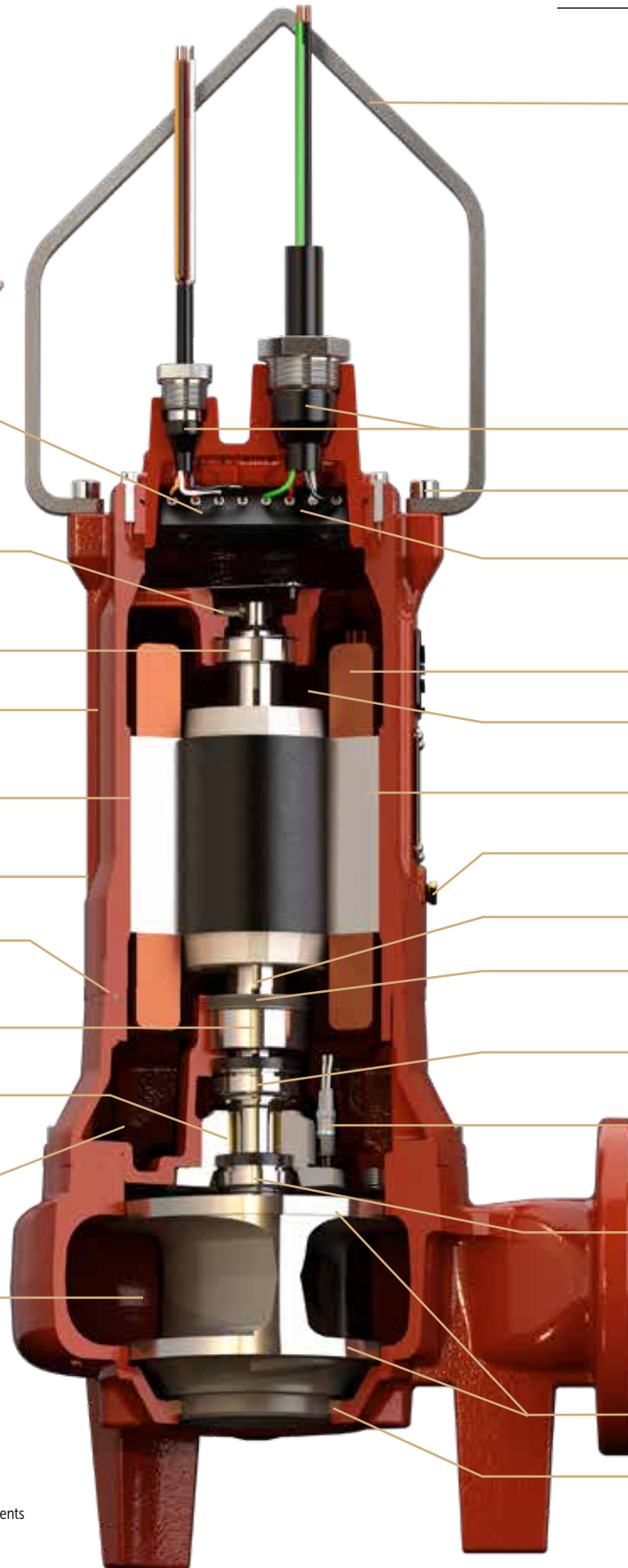
Lower bearing double row angular contact ball bearing

Bronze shaft bushing

MidTherm™ Cooling
Allows oil to be cooled by pumped media

High-efficiency solids handling enclosed 2 Vane impeller
Class 30 cast iron

Patent: See
www.LibertyPumps.com/LEP/patents



Model Number	3XLE052A	3XLE053A	3XLE054A	3XLE055A
HP	5	5	5	5
Volts	230	200/230*	460	575
Phase	1**	3	3	3
Hz	60	60	60	60
RPM	1750	1750	1750	1750
FLA	24.5	17.6/16	8.0	6.5
SFA	28	21.2/19.2	9.4	7.8
LRA	129	120	59.3	38.9
Max kW Input	5.4	5.2	5.2	5.2
NEMA Code	—	A	A	A
Service Factor	1.3	1.3	1.3	1.3
Power Factor (%)	98	80	80	80
KVA Code	F	M	M	K
Motor Efficiency @ Full Load (%)	85.6	89.5	89.5	88.7
Std Impeller Diameter (in)	7.0	7.0	7.0	7.0
Shut-Off Head w/Std Impeller (ft)	50	50	50	50
Max Usable Head w/Std Impeller (ft)	40	40	40	40
Min Head w/Std Impeller (ft)	12	12	12	12
Max Flow @ Min Head (GPM)	660	660	660	660
Power Cord Type & Diameter	Type W, 1 in	SOOW, 0.72 in	SOOW, 0.72 in	SOOW, 0.72 in

* System voltages: 208 and 240 volts with utilization voltages: 200 and 230 volts. These pumps are able to be rewired to 460 volts in the field.

** Single-phase motors require capacitors. Liberty Pumps control panel or capacitor kits are recommended for proper operation and warranty. Refer to "Control Panel" section.

Motor Insulation Class	H 180°C
Impeller Type	Enclosed 2 Vane
Impeller Material	Class 30 Cast Iron
Control Cord Type & Diameter	18/5 SOOW, 0.375 in
Power Cord Length (Options)	35, 50, 100 ft
Heavy-duty Quick-connect Cords	Optional
Upper (Inner) Seal Material	Graphite Impregnated Carbon - Rotating Silicon Carbide - Stationary Viton Elastomers
Lower (Outer) Seal Material (Standard)	Silicon Carbide on Silicon Carbide Viton Elastomers
Lower (Outer) Seal Material (Optional)	Tungsten Carbide on Tungsten Carbide Viton Elastomers
Max Water Temp for Continuous Duty	40°C
Min Fluid Level for Continuous Operation	Motor Housing Fully Submerged
Fluid pH Range	4–10
Starts Per Hour	30
Shaft Material	416 Stainless Steel
Fastener Material	316 Stainless Steel
O-Ring Elastomers	Buna-N

Upper Bearing	Single Row Deep Groove
Lower Bearing	Double Row Angular Contact
Oil Type	ISO VG10 Turbine Oil
Max Submersion Depth	75 ft
Solids Handling	3 in
Discharge	Horizontal 4 in 150# ANSI (DIN 100-PN10)
Protective External Finish	Powder Coat
Seal Fail Detection	Dual Probe - 2 Wire with Resistor 200K ohm Resistance
Thermal Protection	1-phase - 2 Hermetically Sealed Thermostats 3-phase - 3 Hermetically Sealed Thermostats 125°C Opening Temperature 105°C Closing Temperature 3A @ 120VAC, 1A @ 240 VAC
Hazardous Location T-Code	T4 (135°C with Thermals Connected) T2 (300°C without Thermals Connected)
Volute Material	Class 30 Cast Iron
Pump Weight	340 lbs (approx)
Certifications	CSA Certified to CSA, UL® and FM Standards CAN/CSA - C22.2 No. 145-11 UL 674 5th Ed FM 3615:2016 Class 1, Div 1, Groups C and D, T4 Class 1, Zone 1, Groups IIA and IIB, T4

Specifications are subject to change without notice.